

1-1/2" 20gauge Hat Channel Product Specification Sheet

Product Specification: 1-1/2" 20gauge Hat Channel/Furring Channel

Dimensions:

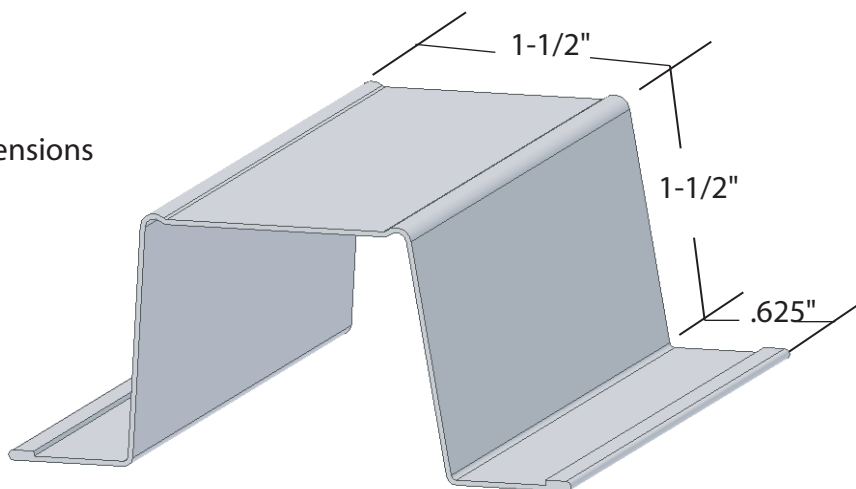
Flange Widths: .625"
 Height: 1-1/2"
 Gauge: .0295-.033 (20 gauge)
 Strip-Width: 6.30"

Conforms to:

ASTM A653 / A653M - 11 Standard Specification for Steel Sheet, Zinc-Coated (Galvanized) or Zinc-Iron Alloy-Coated (Galvannealed) by the Hot-Dip Process

ASTM C645 - 11a Standard Specification for Nonstructural Steel Framing Members

Physical Dimensions



Hat Furring Channel Section Properties

1-1/2" 20 gauge Furring Channel



Section	Minimum Base Metal Thickness (in.)	Design Thickness (in.)	GROSS			
			AREA (in. ²)	WEIGHT (lb/ft)	I _{xx} (in. ⁴)	M _a (ft/lb)
150F125-30	0.0296	0.0312	0.154	0.725	0.050	104.900
150F125-33	0.0329	0.0346	0.170	0.881	0.055	115.600