

1-1/2" 25 gauge Furring Channel/ Hat Track

Product Specification Sheet / Product Submittal Sheet

Product Specification: 1-1/2" 25gauge Hat Channel/Furring Channel

Dimensions:

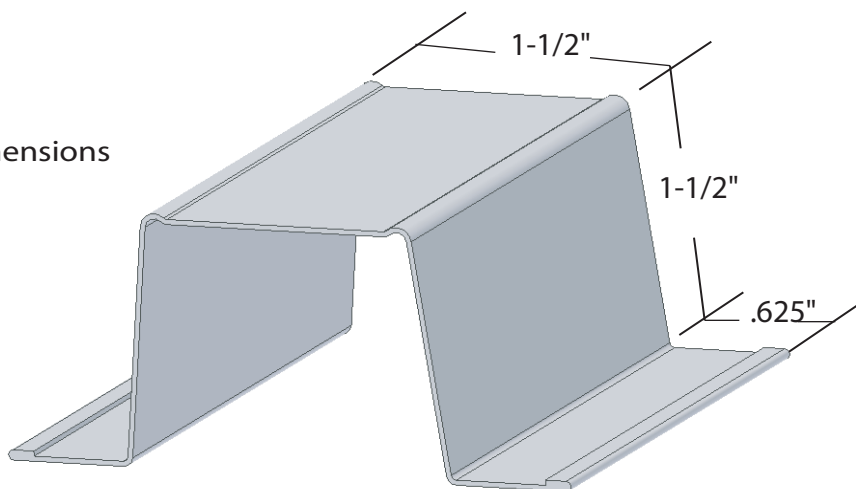
Flange Widths: .625"
 Height: 1-1/2"
 Nailing Edge: 1-1/2"
 Gauge: .0179"/ 18 mils/ 25 gauge
 Strip-Width: 6.30"

Conforms to:

ASTM A653 / A653M - 11 Standard Specification for Steel Sheet, Zinc-Coated (Galvanized) or Zinc-Iron Alloy-Coated (Galvannealed) by the Hot-Dip Process

ASTM C645 - 11a Standard Specification for Nonstructural Steel Framing Members

Physical Dimensions



Hat Furring Channel Section Properties

1-1/2" 25 gauge/ 18 mils Furring Channel

Section	Minimum Base Metal Thickness (in.)	Design Thickness (in.)	GROSS			
			AREA (in. ²)	WEIGHT (lb/ft)	I _{xx} (in. ⁴)	M _a (ft/lb)
150F125-18	0.0179	0.0188	0.093	0.443	0.029	56.400