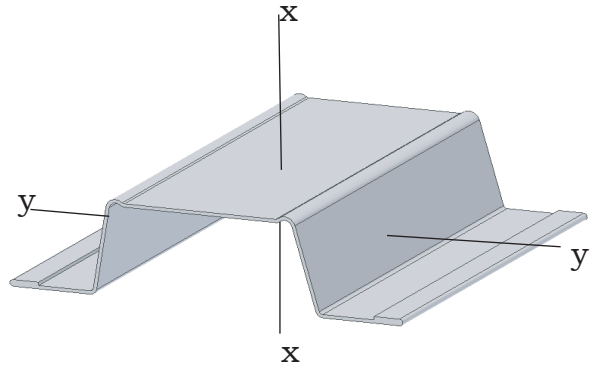


Product Specification Sheet/Product Submittal Sheet

Drywall Stud 7/8" 20 gauge Metal Furring Channel/Hat Track

Product Description: 7/8" (.875") Metal Furring Channel/Hat Track
 Dimensions: 1/2" flange x 7/8" height (1-1/2" Nailing Surface)
 Flange Height: 7/8"
 Gauge: 20 gauge (30 mils)
 Design Thickness: .0295" - .033" (30 mils)
 Inside Corner Radii: N/A
 Yield Strength: 33 ksi

Conforms to: *ASTM A653-11 Standard Specification for Steel Sheet, Zinc-Coated (Galvanized or Zinc-Iron Alloy-Coated (Galvannealed) by the Hot-Dipped Process*
 and
 ASTM C645-11a Standard Specification for Steel Nonstructural Steel Framing Members



Hat Furring Channel Section Properties

7/8" (.875") Furring Channel 20 gauge

Section	Design Thickness (in.)	GROSS			
		AREA (in. ²)	WEIGHT (lb/ft)	I _{xx} (in. ⁴)	M _a (ft/lb)
087F125-30	0.0312	0.118	0.69	0.014	50.30
087F125-33	0.0346	0.127	0.812	0.016	55