

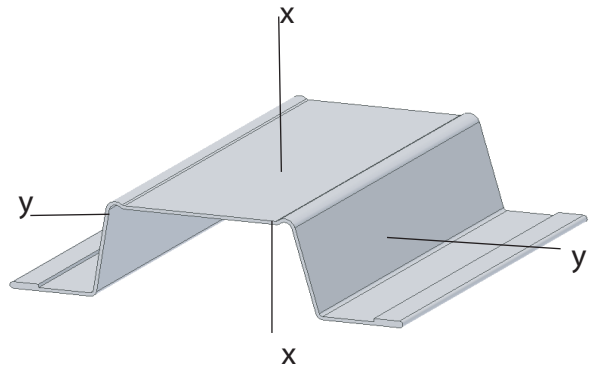


Product Specification Sheet/Product Submittal Sheet

Drywall Stud 7/8" 25 gauge Metal Furring Channel/Hat Track

Product Description: 7/8" (.875") Metal Furring Channel/Hat Track
Dimensions: 1/2" flange x 7/8" height (1-1/2" Nailing Surface)
Flange Height: 7/8"
Gauge: 25 gauge
Design Thickness: .0188"
Inside Corner Radii: N/A
Yield Strength: 33 ksi

Conforms to: ASTM A653-11 Standard Specification for Steel Sheet, Zinc-Coated (Galvanized or Zinc-Iron Alloy-Coated (Galvannealed) by the Hot-Dipped Process
and
ASTM C645-11a Standard Specification for Steel Nonstructural Steel Framing Members



X