



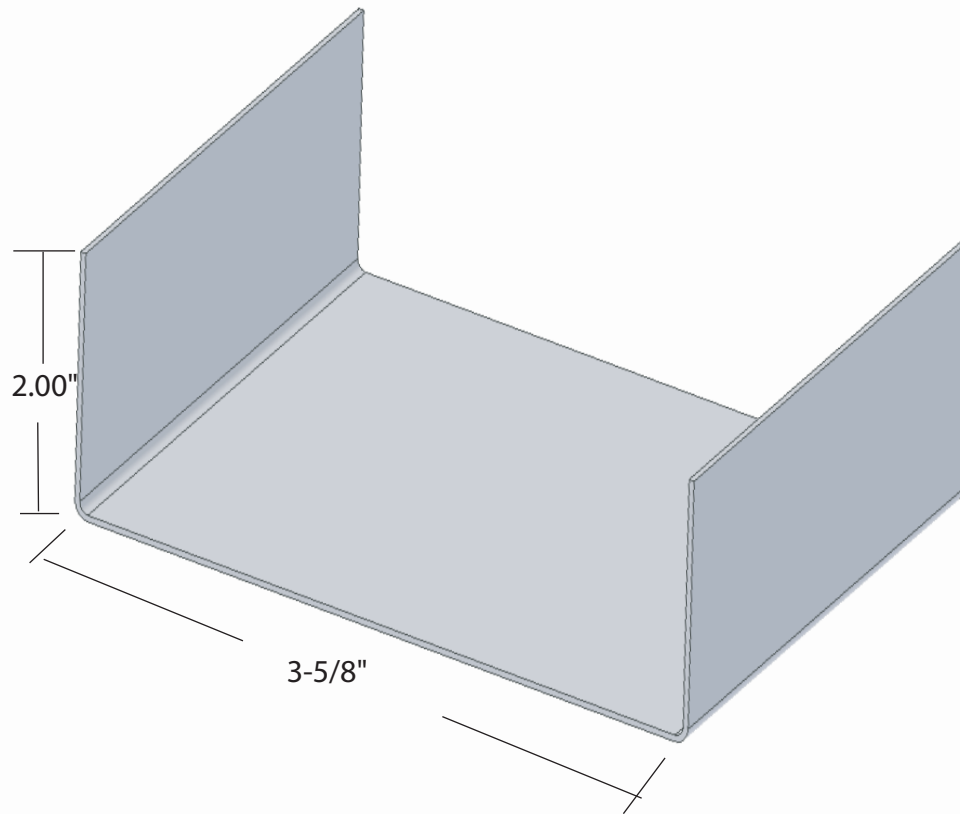
3-5/8 " 20gauge Deep-Leg Track Product Specification Sheet

Product Specification: 3-5/8" 20gauge 2" Deep-Leg Track

Dimensions: Web Width: 3-5/8" (+/-) .005
 Flange Height: 2.00"
 Gauge: .0295-.033 (20 gauge)

Conforms to:
 ASTM A653 Standard Specification for Steel Sheet, Zinc Coated (Galvanized)
 ASTM C645 Standard Specification for Non-Structural Steel Framing Members

Physical Properties:



TRACK SECTION PROPERTIES																		
SECTION	DESIGN THICKNESS (in.)	AREA (in. ²)	WEIGHT (lbs./ft)	GROSS					EFFECTIVE 33ksi					TORSIONAL				
				I _{xx} (in. 2)	S _{xx} (in. 3)	R _x (in.)	I _{yy} (in. 4)	R _y (in.)	I _{xx} (in. 2)	S _{xx} (in. 3)	M _a (in-k)	V _a (lb)	Y _{cg} (in.)	J x 1000 (in. 4)	C _w (in.6)	X _o (in.)	R _o (in.)	B
3625T125-30	0.0312	0.207	0.7	0.449	0.239	1.475	0.045	0.467	0.364	0.158	3.12	731	2.162	0.067	0.111	-0.866	1.773	0.761