



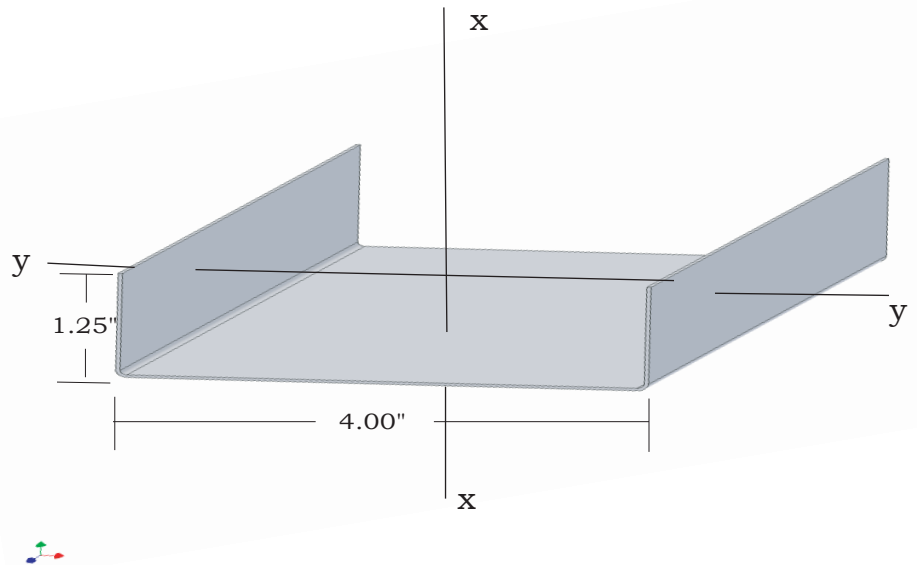
## Product Specification Sheet/Product Submittal Sheet

### Drywall Stud **4.00" 20 gauge Metal Track**

Product Description:  400T125-30  
 Web Width:   4.00"  
 Flange Height:  1-1/4" (1.250")  
 Gauge:   20 gauge  
 Design Thickness:  .0312"  
 Inside Corner Radii:  .095"  
 Yield Strength:  33 ksi

Conforms to: *ASTM A653-11 Standard Specification for Steel Sheet, Zinc-Coated (Galvanized or Zinc-Iron Alloy-Coated (Galvannealed) by the Hot-Dipped Process*

*ASTM C645-11a Standard Specification for Steel Nonstructural Steel Framing Members*



#### SECTION PROPERTIES

4.00" TRACK 20 gauge (1-1/4" Flange Height)

Section	Design Thickness (in.)	GROSS							EFFECTIVE 33ksi					TORSIONAL				B
		AREA (in. <sup>2</sup> )	WEIGHT (lb/ft)	I <sub>xx</sub> (in. <sup>4</sup> )	S <sub>xx</sub> (in. <sup>3</sup> )	R <sub>x</sub> (in.)	I <sub>yy</sub> (in. <sup>4</sup> )	R <sub>y</sub> (in.)	I <sub>xx</sub> (in. <sup>4</sup> )	S <sub>xx</sub> (in. <sup>3</sup> )	M <sub>a</sub> (in/lb)	V <sub>a</sub> (lb.)	Y <sub>cg</sub> (in.)	J <sup>x1000</sup> (in. <sup>4</sup> )	C <sub>w</sub> (in. <sup>6</sup> )	X <sub>0</sub> (in.)	R <sub>0</sub> (in.)	
400T125-30	0.0312	0.203	0.69	0.495	0.239	1.562	0.028	0.371	0.427	0.176	3.49	661	2.289	0.066	0.085	-0.640	1.728	0.863