

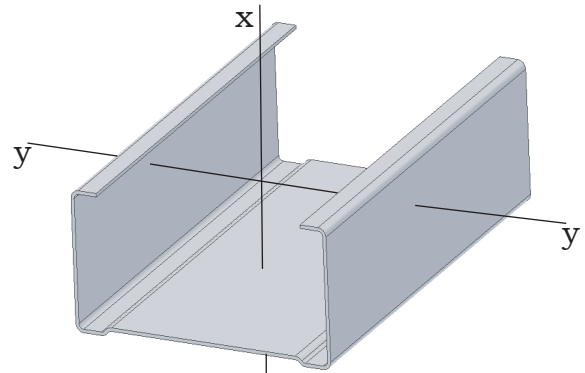


Product Specification Sheet/Product Submittal Sheet

Drywall Stud 1-5/8" 20gauge Metal Studs
 Product Description: 158S125-30
 Web Width: 1-5/8" (1.625")
 Flange Height: 1-1/4" (1.250")
 Gauge: 20 gauge
 Design Thickness: .0297
 Inside Corner Radii: .0950
 Strengthening Lip: 1/4" (.250")
 Yield Strength: 33 ksi

Conforms to: *ASTM A653-11 Standard Specification for Steel Sheet, Zinc-Coated (Galvanized or Zinc-Iron Alloy-Coated (Galvannealed) by the Hot-Dipped Process*
 and

ASTM C645-11a Standard Specification for Steel Nonstructural Steel Framing Members



Limiting Heights Table		Based on 5 PSF Interior Pressure Differential						5 PSF		
WEB WIDTH/ SIZE	GAUGE	12" O.C.			16" O.C.			24" O.C.		
		L/120	L/240	L/360	L/120	L/240	L/360	L/120	L/240	L/360
1-5/8"	20	12.20	9.70	8.40	11.10	8.80	7.70	9.70	7.70	6.70
DRYWALL STUD	22	12.00	9.10	8.00	10.40	8.30	7.30	8.70	7.30	6.30
	25	10.10	8.00	7.00	9.20	7.30	6.40	8.00	6.40	5.60

Limiting Heights Table		Based on 10 PSF Interior Pressure Differential						10 PSF		
WEB WIDTH/ SIZE	GAUGE	12" O.C.			16" O.C.			24" O.C.		
		L/120	L/240	L/360	L/120	L/240	L/360	L/120	L/240	L/360
1-5/8"	20	9.7	7.7	6.7	8.8	7.0	6.1	7.7	5.8	5.3
DRYWALL STUD	22	9.1	7.3	6.3	8.3	6.6	5.8	7.3	5.8	5.0
	25	8.0	6.3	5.6	7.3	5.8	5.0	6.3	5.0	4.4

PHYSICAL STRUCTURAL PROPERTIES

Metal Stud	Weight (lbs./ft.)	Cross Section Area (sq.in.)	ABOUT MAJOR AXIS					ABOUT MINOR AXIS		
			X (in.)	I _x (in. ⁴)	S _x (in. ³)	R _x (in.)	M _R (in.-lbs.)	I _y (in. ⁴)	S _y (in. ³)	R _y (in.)
1-5/8" DWS										
20 gauge (.0312")	0.611	0.149	0.483	0.069	0.085	0.68	1683	0.033	0.042	0.46
22 gauge (.0283")	0.500	0.122	0.491	0.058	0.071	0.69	1403	0.025	0.029	0.43
25 gauge (.0188")	0.332	0.081	0.491	0.039	0.04	0.69	950	0.015	0.019	0.43