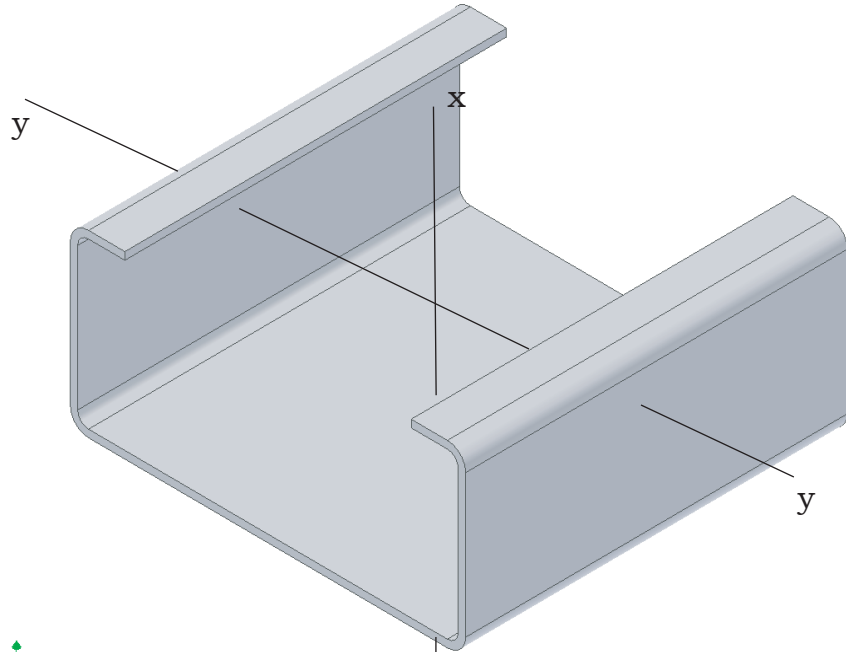


Product Specification Sheet/Product Submittal Sheet

Structural Stud	<input type="checkbox"/>	<input type="checkbox"/>	3-5/8" 16gauge CSJ Structural Steel Studs
Product Description:	<input type="checkbox"/>		358S162-54
Gauge:			16 gauge (54 mils)
Design Thickness:	<input type="checkbox"/>	<input type="checkbox"/>	.054 - .055"
Web Width:	<input type="checkbox"/>	<input type="checkbox"/>	3-5/8"
Flange Height:	<input type="checkbox"/>	<input type="checkbox"/>	1-5/8" (1.625")
Strengthening Lip:	<input type="checkbox"/>	<input type="checkbox"/>	1/2" (.500")
Inside Corner Radii:	<input type="checkbox"/>		.099"
Yield Strength:	<input type="checkbox"/>	<input type="checkbox"/>	33 ksi and 50 ksi as specified

Conforms to: **ASTM A653-11** Standard Specification for Steel Sheet, Zinc-Coated (Galvanized) or Zinc-Iron Alloy-Coated (Galvannealed) by the Hot-Dipped Process
 and
ASTM C955-03 Standard Specification for Load-Bearing (Transverse and Axial) Steel Studs, Runners (Track), and Bracing or Bridging for Screw Application of Gypsum Panels...



Structural Stud Section Properties

SECTION	Design Thickness (in.)	CROSS SECTION AREA (sq.in.)	WEIGHT (lbs./ft.)	Gross					Effective					Torsional				β
				I_{xx} (in. ⁴)	S_{xx} (in. ³)	R_{xx} (in.)	I_{yy} (in. ³)	R_y (inches)	I_{xx} (in. ⁴)	S_{xx} (in. ³)	M_a (in/lb)	V_a (lb.)	Y_{cg} (in.)	J^{1000} (in. ⁴)	C_w (in. ⁶)	X_a (in.)	R_A (in.)	
358S162-54	0.056	0.422	1.440	0.873	0.481	1.438	0.154	0.604	0.873	0.468	14000	3446	1.836	0.451	0.449	-1.314	2.024	0.585

Limiting Curtain Wall Heights

Wind Load and Deflection Criteria

Member	Spacing (in.) o.c.	5 p.s.f.				15 p.s.f.				20 p.s.f.				30 p.s.f.				40 p.s.f.			
		L/240	L/360	L/600	L/720	L/240	L/360	L/600	L/720	L/240	L/360	L/600	L/720	L/240	L/360	L/600	L/720	L/240	L/360	L/600	L/720
362S162-54	12	22-5	19-7	16-6	15-7	16-5	14-6	12-3	11-6	15-1	13-2	10-5	9-10	12-4	10-9	9-1	8-7	11-2	9-9	8-3	7-9
	16	20-4	17-9	15-0	14-2	15-1	13-2	11-2	10-6	13-9	12-0	9-5	8-11	11-2	9-9	8-3	7-9	10-2	8-11	7-6	7-1
	24	17-9	15-6	13-1	12-4	13-2	11-6	9-9	9-2	12-0	10-6	8-3	7-9	9-9	8-7	7-3	6-10	8-11	7-9	6-7	6-2