

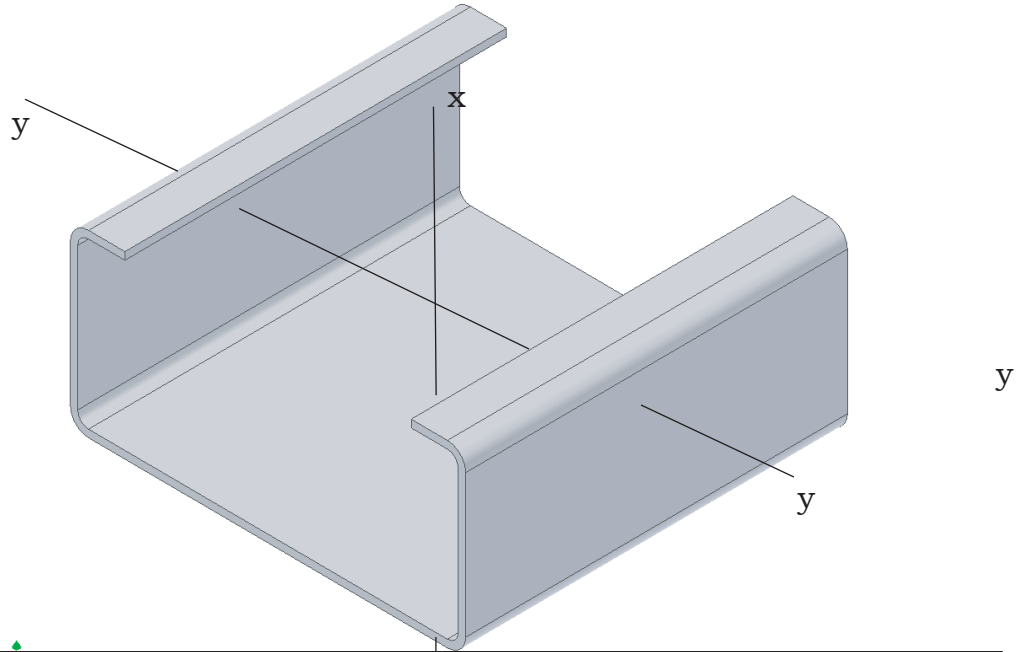


Product Specification Sheet/Product Submittal Sheet

Structural Stud 3-5/8" 18gauge CSJ Structural Steel Studs
 Product Description: 358S162-43

Gauge: 18 gauge (43 mils)
 Design Thickness: .043 - .045"
 Web Width: 3-5/8"
 Flange Height: 1-5/8" (1.625")
 Strengthening Lip: 1/2" (.500")
 Inside Corner Radii: .099"
 Yield Strength: 33 ksi and 50 ksi as specified

Conforms to: **ASTM A653-11** Standard Specification for Steel Sheet, Zinc-Coated (Galvanized or Zinc-Iron Alloy-Coated (Galvannealed) by the Hot-Dipped Process
 and
ASTM C955-03 Standard Specification for Load-Bearing (Transverse and Axial) Steel Studs, Runners (Track), and Bracing or Bridging for Screw Application of Gypsum Panels...



Structural Stud Section Properties

SECTION	Design Thickness (in.)	CROSS SECTION AREA (sq.in.)	Gross						Effective					Torsional				
			WEIGHT (lbs./ft.)	I_{xx} (in. ⁴)	S_{xx} (in. ³)	R_{xx} (in.)	I_{yy} (in. ⁴)	R_y (inches)	I_{xx} (in. ⁴)	S_{xx} (in. ³)	M_a (in/lb)	V_a (lb.)	Y_{cg} (in.)	$J \times 1000$ (in. ⁴)	C_w (in. ⁶)	X_a (in.)	R^A (in.)	β
358S162-33	0.035	0.264	0.890	0.557	0.304	1.450	0.100	0.616	0.557	0.292	5570	1039	1.843	0.105	0.294	-1.335	2.063	0.582
358S162-43	0.044	0.340	1.160	0.710	0.392	1.445	0.127	0.611	0.710	0.389	8460	1777	1818	0.23	0.371	-1.323	2.052	0.585
358S162-54	0.056	0.422	1.440	0.873	0.481	1.438	0.154	0.604	0.873	0.468	14000	3446	1.836	0.451	0.449	-1.314	2.024	0.585

Limiting Curtain Wall Heights

Wind Load and Deflection Criteria

Member	Spacing (in.) o.c.	5 p.s.f.				15 p.s.f.				20 p.s.f.				30 p.s.f.				40 p.s.f.			
		L/240	L/360	L/600	L/720	L/240	L/360	L/600	L/720	L/240	L/360	L/600	L/720	L/240	L/360	L/600	L/720	L/240	L/360	L/600	L/720
362S162-43	12	20-11	18-3	15-5	14-6	14-5	12-8	10-8	10-1	13-2	11-6	9-9	9-2	12-3	10-8	8-6	8-0	10-6	9-2	7-8	7-3
	16	19-0	16-7	14-0	13-2	13-2	11-6	9-9	9-2	12-0	10-5	8-10	8-4	11-1	9-8	7-8	7-3	9-6	8-4	7-0	6-7
	24	16-7	14-6	12-3	11-6	11-6	10-1	8-6	8-0	10-6	9-2	7-8	7-3	9-9	8-6	6-9	6-4	8-4	7-3	6-1	5-9