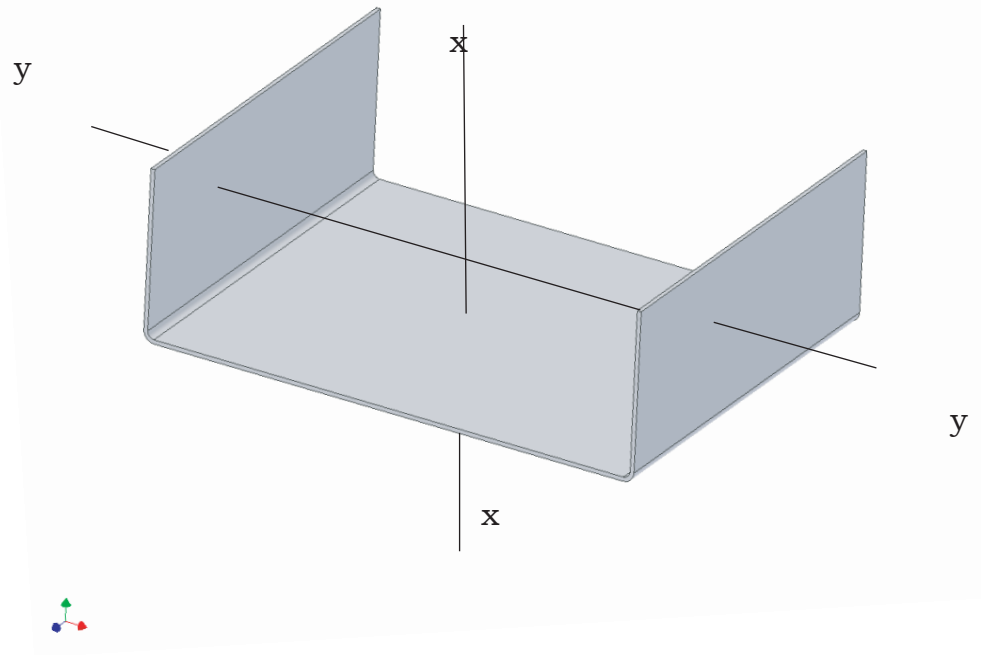


Product Specification Sheet/Product Submittal Sheet

Drywall Track 1-5/8" 22 Gauge Track (DWT)
 Product Description: 158T125-27
 Gauge: 22 gauge/ 27 mils
 Thickness: Min. Thickness: .0269 Design Thickness: .0283"
 Web Width: 1-5/8" (1.625")
 Flange Height: 1-1/4" (1.250")
 Inside Corner Radii: .080"
 Yield Strength: 33 ksi yield strength

Conforms to: **ASTM A653-11** Standard Specification for Steel Sheet, Zinc-Coated (Galvanized or Zinc-Iron Alloy-Coated (Galvannealed) by the Hot-Dipped Process
 and
ASTM C645-11a Standard Specification for Nonstructural Steel Framing Members
American Iron and Steel Institute (AISI) North American Standard for Cold-Formed Steel Framing - General Provisions - 2012 Edition



Drywall Track Section Properties

SECTION	Design Thickness (in.)	CROSS SECTION AREA (sq.in.)	WEIGHT (lbs./ft.)	Gross					Effective					Torsional				β
				I_{xx} (in. ⁴)	S_{xx} (in. ³)	R_{xx} (in.)	I_{yy} (in. ³)	R_y (inches)	I_{xx} (in. ⁴)	S_{xx} (in. ³)	M_a (in/lb)	V_a (lb.)	Y_{cg} (in.)	$J \times 1000$ (in. ⁴)	C_w (in. ⁶)	X_a (in.)	R_A (in.)	
162T125-18	0.0188	0.078	0.260	0.042	0.048	0.740	0.013	0.411	0.031	0.026	0.51	309	1.093	0.009	0.007	-0.893	1.23	0.473
162T125-27	0.0283	0.117	0.400	0.063	0.072	0.735	0.022	0.410	0.050	0.044	0.87	577	1.048	0.031	0.01	-0.886	1.221	0.474
162T125-20	0.0312	0.129	0.440	0.070	0.079	0.735	0.022	0.409	0.057	0.050	1.15	637	1.038	0.042	0.012	-0.884	1.22	0.475