



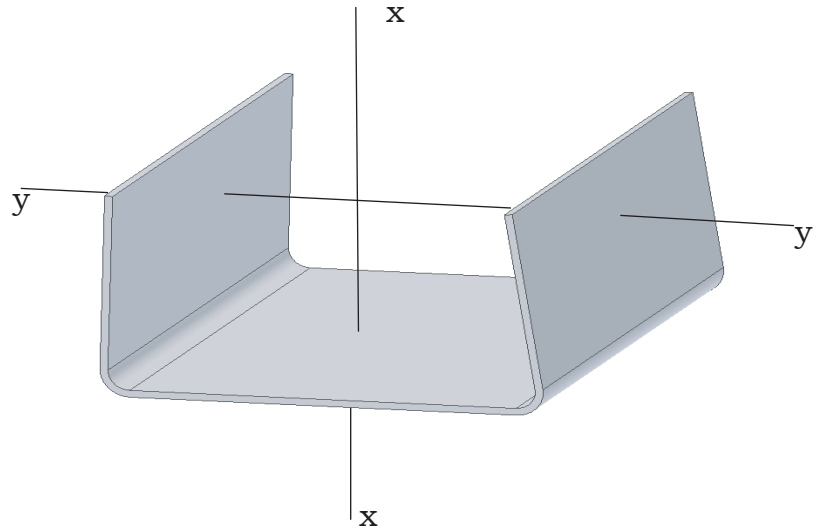
Product Specification Sheet/Product Submittal Sheet

Drywall Stud **4.00" 25 gauge Metal Track**

Product Description: 400T125-19
 Web Width: 4.00"
 Flange Height: 1-1/4" (1.250")
 Gauge: 25 gauge
 Design Thickness: .0188"
 Inside Corner Radii: .095"
 Yield Strength: 33 ksi

Conforms to: *ASTM A653-11 Standard Specification for Steel Sheet, Zinc-Coated (Galvanized or Zinc-Iron Alloy-Coated (Galvannealed) by the Hot-Dipped Process*

ASTM C645-11a Standard Specification for Steel Nonstructural Steel Framing Members



4.00" TRACK 25 gauge (1-1/4" Flange Height)

Section	Design Thickness (in.)	GROSS							EFFECTIVE 33ksi					TORSIONAL				
		AREA (in. ²)	WEIGHT (lb/ft)	I _{xx} (in. ⁴)	S _{xx} (in. ³)	R _x (in.)	I _{yy} (in. ⁴)	R _y (in.)	I _{xx} (in. ⁴)	S _{xx} (in. ³)	M _a (in/lb)	V _a (lb.)	Y _{cg} (in.)	J ^{x1000} (in. ⁴)	C _w (in. ⁶)	X ₀ (in.)	R ₀ (in.)	B
400T125-19	0.0188	0.122	0.42	0.300	0.145	1.566	0.017	0.373	0.243	0.072	1.43	146	2.643	0.014	0.052	-0.647	1.735	0.861