

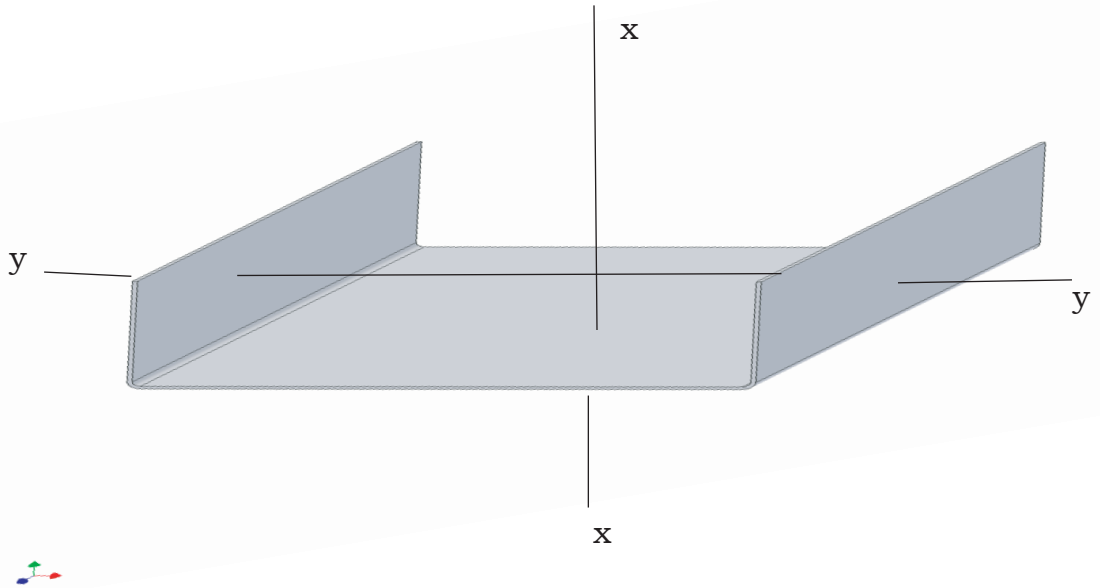
Product Specification Sheet/Product Submittal Sheet

Drywall Stud **6.00" 20 gauge Metal Track**

Product Description: 600T125-30
 Web Width: 6.00"
 Flange Height: 1-1/4" (1.250")
 Gauge: 20 gauge
 Design Thickness: .0312"
 Inside Corner Radii: .095"
 Yield Strength: 33 ksi

Conforms to: *ASTM A653-11 Standard Specification for Steel Sheet, Zinc-Coated (Galvanized or Zinc-Iron Alloy-Coated (Galvannealed) by the Hot-Dipped Process*

ASTM C645-11a Standard Specification for Steel Nonstructural Steel Framing Members



SECTION PROPERTIES

6.00" TRACK 20 gauge (1-1/4" Flange Height)

Section	Design Thickness (in.)	GROSS							EFFECTIVE 33ksi					TORSIONAL				
		AREA (in. ²)	WEIGHT (lb/ft)	I _{xx} (in. ⁴)	S _{xx} (in. ³)	R _x (in.)	I _{yy} (in. ⁴)	R _y (in.)	I _{xx} (in. ⁴)	S _{xx} (in. ³)	M _b (in/lb)	V _a (lb.)	Y _{cg} (in.)	J ^{x1000} (in. ⁴)	C _w (in. ⁶)	X ₀ (in.)	R ₀ (in.)	B
6000T125-30	0.0312	0.265	0.9	1.288	0.419	2.204	0.031	0.340	1.159	0.272	5.37	438	3.573	0.086	0.214	-0.524	2.291	0.948