

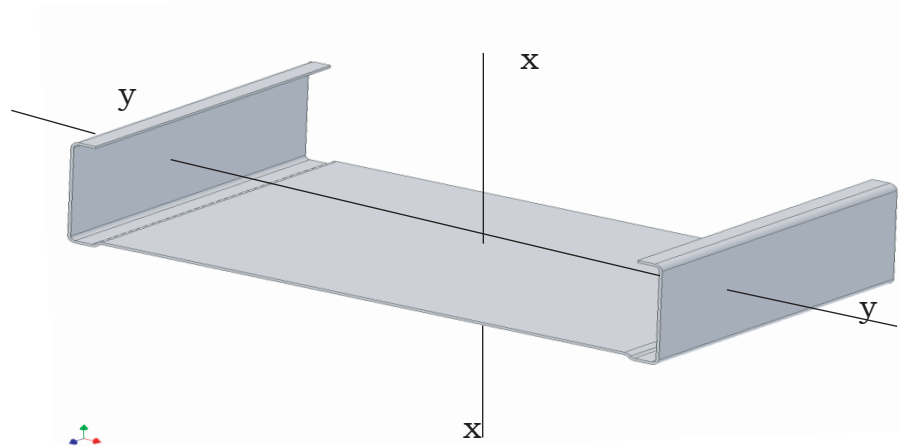


## Product Specification Sheet/Product Submittal Sheet

Drywall Stud 6.00" 20 gauge Metal Studs

Product Description:  600S125-30  
 Web Width:   6" (6.000")  
 Flange Height:  1-1/4" (1.250")  
 Gauge:   20 gauge  
 Design Thickness:  .0295"  
 Inside Corner Radii:  .0950"  
 Strengthening Lip:  1/4" (.250")  
 Yield Strength:  33 ksi

Conforms to: *ASTM A653-11 Standard Specification for Steel Sheet, Zinc-Coated (Galvanized or Zinc-Iron Alloy-Coated (Galvannealed) by the Hot-Dipped Process*  
 and  
 *ASTM C645-11a Standard Specification for Steel Nonstructural Steel Framing Members*



Limiting Heights Table

Based on 5 PSF Interior Pressure Differential

**5 PSF**

WEB WIDTH/ SIZE	GAUGE	12" O.C.			16" O.C.			24" O.C.		
		L/120	L/240	L/360	L/120	L/240	L/360	L/120	L/240	L/360
6.00" DWS	20	33.70	26.80	23.30	30.60	24.30	21.20	26.80	21.20	18.60
	22	31.30	24.90	21.80	28.50	22.60	19.80	24.90	19.80	17.30
	25	27.40	21.80	19.00	24.90	19.80	17.20	21.80	17.30	15.00

Limiting Heights Table

Based on 10 PSF Interior Pressure Differential

**10 PSF**

WEB WIDTH/ SIZE	GAUGE	12" O.C.			16" O.C.			24" O.C.		
		L/120	L/240	L/360	L/120	L/240	L/360	L/120	L/240	L/360
6.00" DWS	20	26.8	21.3	18.5	24.3	19.3	16.8	21.3	16.9	14.7
	22	24.8	19.8	17.3	22.5	17.8	15.7	19.7	15.7	13.7
	25	21.8	17.3	15.1	20.0	15.7	13.7	17.3	13.7	12.8

Metal Stud	Weight (lbs./ft.)	Cross Section Area (sq.in.)	ABOUT MAJOR AXIS					ABOUT MINOR AXIS		
			X (in.)	I <sub>x</sub> (in. <sup>4</sup> )	S <sub>x</sub> (in. <sup>3</sup> )	R <sub>x</sub> (in.)	M <sub>R</sub> (in.-lbs.)	I <sub>y</sub> (in. <sup>4</sup> )	S <sub>y</sub> (in. <sup>3</sup> )	R <sub>y</sub> (in.)
6.00" DWS										
20 gauge (.0312")	1.201	0.293	0.293	1.463	0.488	2.23	9662	0.045	0.046	0.39
22 gauge (.0283")	1.021	0.249	0.266	1.173	0.391	2.17	7741	0.036	0.036	0.38
25 gauge (.0188")	0.681	0.166	0.166	0.784	0.261	2.17	5168	0.025	0.025	0.39